

PROJECT:  
CAT.NO:  
NOTES:

DATE:  
TYPE:  
VOLTS:

# AP2W

AP / 2 way of installation / Wet Locations



## GENERAL DESCRIPTION

LED luminaire for **surface** mounting with brackets included or **suspended** installation with mounting brackets and bail-links.

Ideal for indoor or outdoor applications, such as parking garages, food processing facilities, refrigerated storage, pedestrian tunnels and other industrial applications where protection from dust and water is required. Impact resistance design.

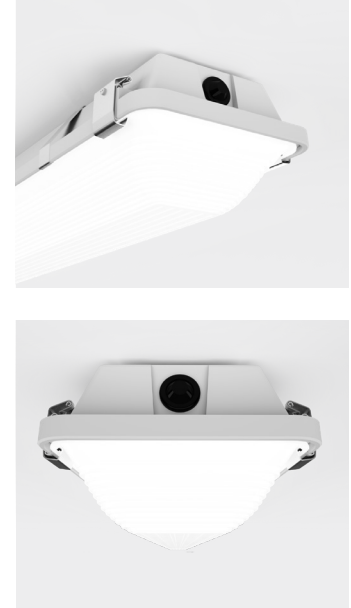
## CONSTRUCTION

One-piece fiberglass housing. Enclosed with gasket. Plastic high impact tension latches included, also available in stainless steel and with tamper resistant screws. Tension latches seal the entire fixture liquid tight.

## SHIELDING

As standard frosted or clear ribbed acrylic lens. Frosted ribbed diffuser improves LED visual performance and eliminates glare. UV stabilized polycarbonate lenses available.

## ORDERING INFORMATION



2019-12-12

## FINISH

Finish is high gloss white polyester baked powder coat enamel.



## ELECTRICAL

3000K 3500K 4000K 5000K

120V - 277V 347V

L80 performance at 60,000 hours minimum. 80 CRI Standard.  
Other dimming options, lumen options, 90CRI and lengths available.  
Consult factory.

## CERTIFICATION

NEMA 4X, IP67, Approved to UL1598 and CSA C22.2 No. 250 standards\*\*  
Suitable for wet locations. NSF rated.



\*LED Five (5) year limited warranty.  
\*\*Normal temperature: -20 degrees Celsius to +25 degrees Celsius.  
\*\*\*Not all available products are DLC qualified. Check the DLC Qualified Products List at [designlights.org](http://designlights.org) to confirm which versions are qualified.

Specifications are subject to change.  
Please confirm latest specifications prior to placing order.

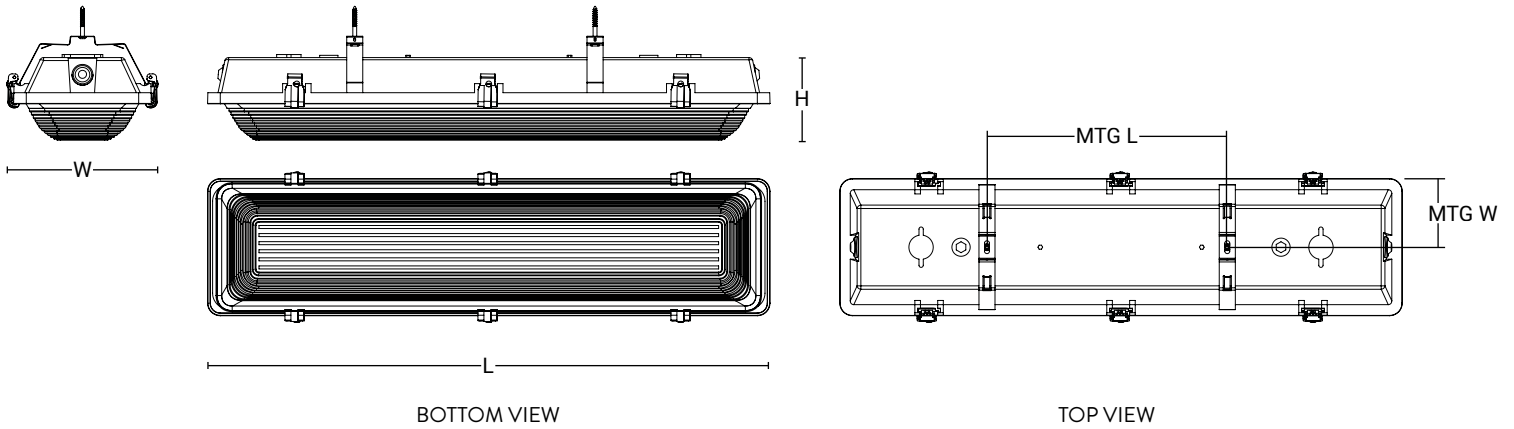
AP2W	LENGTH	LUMENS	CCT	SHIELDING	LATCHES	MOUNTING	IE CONTROL *OPTIONAL*	POWER CORD *OPTIONAL*	DRIVER
AP2W	2 = 2ft	22 = 2200lm	30K = 3000K	A1 = Clear Ribbed Acrylic	LA = Acrylic	S = Surface Mounting Bracket	LO = On/Off Occupancy, Low Mount	C1 = Cord 5ft	MV = Standard 120V-277V Dimming (0-10V)
		42 = 4200lm	35K = 3500K	A2 = Frosted Ribbed Acrylic	LT = Acrylic Tamper Resistant	P = Suspension Mounting Bracket with Ball-Link	HO = On/Off Occupancy, High Mount	C2 = Cord 6ft	
		60 = 6000lm	40K = 4000K	A3 = Clear Shallow Acrylic	SS = Stainless Steel		L5 = Dim 50% Occupancy, Low Mount	C3 = Cord 8ft	347 = Standard 347V Dimming (0-10V)
	4 = 4ft	80 = 8000lm	50K = 5000K	A4 = Frosted Shallow Acrylic	ST = Stainless Steel Tamper Resistant		H5 = Dim 50% Occupancy, High Mount	C4 = Cord 9ft	
		100 = 10000lm		P1 = Clear Ribbed Polycarbonate *not applicable for 8ft			L5P = Dim 50% Occupancy, On/Off Photocell, Low Mount	C5 = Cord 10ft	*emergency driver available, consult factory
		120 = 12000lm		P2 = Frosted Ribbed Polycarbonate *not applicable for 8ft			H5P = Dim 50% Occupancy, On/Off Photocell, High Mount	C6 = Cord 12ft	
	8 = 8ft	140 = 14000lm		P3 = Clear Shallow Polycarbonate					
				P4 = Frosted Shallow Polycarbonate					

# AP2W

## DIMENSIONS

2019-12-12

SIZE	L	W	H	MTG L	MTG W
2FT	27.65"	6.75"	4.40"	ADJUSTABLE	3.35"
4FT	51.75"	6.75"	4.40"	ADJUSTABLE	3.35"
8FT	100.00"	6.75"	4.40"	ADJUSTABLE	3.35"



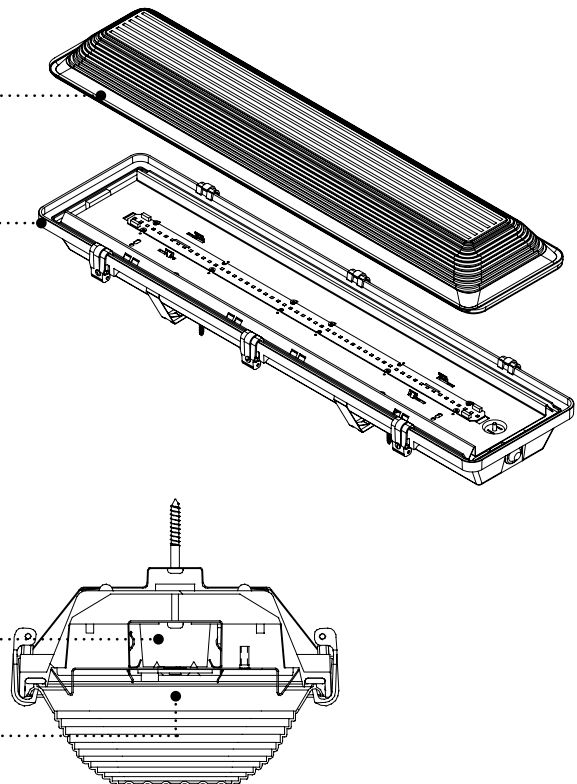
## ANATOMY

**HIGH PERFORMANCE LENS**  
 As standard frosted or clear ribbed acrylic lens

**DIE-FORMED STEEL HOUSING**  
 Finish is high gloss white polyester baked powder coat enamel

**LED DRIVER**  
 Dimming 0-10V

**LED LIGHT ENGINE**  
 Mounted on internal high reflectance white painted reflector



PROJECT:  
CAT.NO:  
NOTES:

DATE:  
TYPE:  
VOLTS:

**PEERLUX**  
SERIES

# AP2W

## WATTAGE & EFFICACY

2019-07-05

CATALOGUE NUMBER	LUMENS (lm)	CCT (K)	WATTAGE (W)	EFFICACY (lm/W)
AP2W-2-22-30K-P1	2200	3000K	20	108
AP2W-2-22-35K-P1	2200	3500K	20	109
AP2W-2-22-40K-P1	2200	4000K	19	114
AP2W-2-22-50K-P1	2200	5000K	19	116
AP2W-4-42-30K-P1	4200	3000K	37	114
AP2W-4-42-35K-P1	4200	3500K	37	116
AP2W-4-42-40K-P1	4200	4000K	35	120
AP2W-4-42-50K-P1	4200	5000K	34	123
AP2W-4-60-30K-P1	6000	3000K	55	110
AP2W-4-60-35K-P1	6000	3500K	53	112
AP2W-4-60-40K-P1	6000	4000K	51	117
AP2W-4-60-50K-P1	6000	5000K	50	120
AP2W-4-80-30K-P1	8000	3000K	75	106
AP2W-4-80-35K-P1	8000	3500K	74	108
AP2W-4-80-40K-P1	8000	4000K	71	113
AP2W-4-80-50K-P1	8000	5000K	68	118
AP2W-4-100-30K-P1	10000	3000K	87	110
AP2W-4-100-35K-P1	10000	3500K	87	112
AP2W-4-100-40K-P1	10000	4000K	87	115
AP2W-4-100-50K-P1	10000	5000K	84	120
AP2W-8-60-30K-P1	6000	3000K	53	114
AP2W-8-60-35K-P1	6000	3500K	52	117
AP2W-8-60-40K-P1	6000	4000K	50	120
AP2W-8-60-50K-P1	6000	5000K	48	125
AP2W-8-90-30K-P1	9000	3000K	75	120
AP2W-8-90-35K-P1	9000	3500K	74	122
AP2W-8-90-40K-P1	9000	4000K	71	127
AP2W-8-90-50K-P1	9000	5000K	68	132
AP2W-8-120-30K-P1	12000	3000K	105	114
AP2W-8-120-35K-P1	12000	3500K	104	116
AP2W-8-120-40K-P1	12000	4000K	101	120
AP2W-8-120-50K-P1	12000	5000K	97	124
AP2W-8-140-30K-P1	14000	3000K	127	111

PROJECT:  
CAT.NO:  
NOTES:

DATE:  
TYPE:  
VOLTS:

PEERLUX<sup>®</sup>  
SERIES

# AP2W

## WATTAGE & EFFICACY

2019-07-05

CATALOGUE NUMBER	LUMENS (lm)	CCT (K)	WATTAGE (W)	EFFICACY (lm/W)
AP2W-8-140-35K-P1	14000	3500K	124	113
AP2W-8-140-40K-P1	14000	4000K	121	116
AP2W-8-140-50K-P1	14000	5000K	116	121
AP2W-2-22-30K-P2	2200	3000K	22	98
AP2W-2-22-35K-P2	2200	3500K	22	99
AP2W-2-22-40K-P2	2200	4000K	21	103
AP2W-2-22-50K-P2	2200	5000K	21	105
AP2W-4-42-30K-P2	4200	3000K	39	109
AP2W-4-42-35K-P2	4200	3500K	38	111
AP2W-4-42-40K-P2	4200	4000K	37	114
AP2W-4-42-50K-P2	4200	5000K	36	118
AP2W-4-60-30K-P2	6000	3000K	58	104
AP2W-4-60-35K-P2	6000	3500K	57	106
AP2W-4-60-40K-P2	6000	4000K	55	110
AP2W-4-60-50K-P2	6000	5000K	52	115
AP2W-4-80-30K-P2	8000	3000K	74	109
AP2W-4-80-35K-P2	8000	3500K	72	111
AP2W-4-80-40K-P2	8000	4000K	75	106
AP2W-4-80-50K-P2	8000	5000K	73	111
AP2W-4-100-30K-P2	10000	3000K	97	107
AP2W-4-100-35K-P2	10000	3500K	97	107
AP2W-4-100-40K-P2	10000	4000K	97	110
AP2W-4-100-50K-P2	10000	5000K	97	112
AP2W-8-60-30K-P2	6000	3000K	56	108
AP2W-8-60-35K-P2	6000	3500K	55	110
AP2W-8-60-40K-P2	6000	4000K	53	114
AP2W-8-60-50K-P2	6000	5000K	51	118
AP2W-8-90-30K-P2	9000	3000K	80	113
AP2W-8-90-35K-P2	9000	3500K	78	116
AP2W-8-90-40K-P2	9000	4000K	75	120
AP2W-8-90-50K-P2	9000	5000K	72	125
AP2W-8-120-30K-P2	12000	3000K	112	107
AP2W-8-120-35K-P2	12000	3500K	110	110

PROJECT:  
CAT.NO:  
NOTES:

DATE:  
TYPE:  
VOLTS:

PEERLUX<sup>®</sup>  
SERIES

# AP2W

## WATTAGE & EFFICACY

2019-07-05

CATALOGUE NUMBER	LUMENS (lm)	CCT (K)	WATTAGE (W)	EFFICACY (lm/W)
AP2W-8-120-40K-P2	12000	4000K	105	114
AP2W-8-120-50K-P2	12000	5000K	103	117
AP2W-8-140-30K-P2	14000	3000K	135	104
AP2W-8-140-35K-P2	14000	3500K	132	106
AP2W-8-140-40K-P2	14000	4000K	128	110
AP2W-8-140-50K-P2	14000	5000K	123	114
AP2W-2-22-30K-A1	2200	3000K	21	107
AP2W-2-22-35K-A1	2200	3500K	20	109
AP2W-2-22-40K-A1	2200	4000K	20	112
AP2W-2-22-50K-A1	2200	5000K	19	115
AP2W-4-42-30K-A1	4200	3000K	35	120
AP2W-4-42-35K-A1	4200	3500K	35	122
AP2W-4-42-40K-A1	4200	4000K	34	125
AP2W-4-42-50K-A1	4200	5000K	33	130
AP2W-4-60-30K-A1	6000	3000K	52	116
AP2W-4-60-35K-A1	6000	3500K	51	118
AP2W-4-60-40K-A1	6000	4000K	49	123
AP2W-4-60-50K-A1	6000	5000K	47	127
AP2W-4-80-30K-A1	8000	3000K	71	113
AP2W-4-80-35K-A1	8000	3500K	70	115
AP2W-4-80-40K-A1	8000	4000K	67	120
AP2W-4-80-50K-A1	8000	5000K	65	125
AP2W-4-100-30K-A1	10000	3000K	87	115
AP2W-4-100-35K-A1	10000	3500K	87	117
AP2W-4-100-40K-A1	10000	4000K	87	121
AP2W-4-100-50K-A1	10000	5000K	84	125
AP2W-8-60-30K-A1	6000	3000K	50	119
AP2W-8-60-35K-A1	6000	3500K	50	121
AP2W-8-60-40K-A1	6000	4000K	48	125
AP2W-8-60-50K-A1	6000	5000K	46	129
AP2W-8-90-30K-A1	9000	3000K	71	127
AP2W-8-90-35K-A1	9000	3500K	70	129
AP2W-8-90-40K-A1	9000	4000K	67	134

PROJECT:  
CAT.NO:  
NOTES:

DATE:  
TYPE:  
VOLTS:

PEERLUX<sup>®</sup>  
SERIES

# AP2W

## WATTAGE & EFFICACY

2019-07-05

CATALOGUE NUMBER	LUMENS (lm)	CCT (K)	WATTAGE (W)	EFFICACY (lm/W)
AP2W-8-90-50K-A1	9000	5000K	65	139
AP2W-8-120-30K-A1	12000	3000K	107	112
AP2W-8-120-35K-A1	12000	3500K	105	115
AP2W-8-120-40K-A1	12000	4000K	100	100
AP2W-8-120-50K-A1	12000	5000K	98	123
AP2W-8-140-30K-A1	14000	3000K	121	116
AP2W-8-140-35K-A1	14000	3500K	119	118
AP2W-8-140-40K-A1	14000	4000K	114	123
AP2W-8-140-50K-A1	14000	5000K	110	128
AP2W-2-22-30K-A2	2200	3000K	21	106
AP2W-2-22-35K-A2	2200	3500K	21	107
AP2W-2-22-40K-A2	2200	4000K	20	112
AP2W-2-22-50K-A2	2200	5000K	20	113
AP2W-4-42-30K-A2	4200	3000K	36	118
AP2W-4-42-35K-A2	4200	3500K	35	121
AP2W-4-42-40K-A2	4200	4000K	34	124
AP2W-4-42-50K-A2	4200	5000K	33	128
AP2W-4-60-30K-A2	6000	3000K	52	115
AP2W-4-60-35K-A2	6000	3500K	51	117
AP2W-4-60-40K-A2	6000	4000K	50	121
AP2W-4-60-50K-A2	6000	5000K	48	126
AP2W-4-80-30K-A2	8000	3000K	72	111
AP2W-4-80-35K-A2	8000	3500K	71	114
AP2W-4-80-40K-A2	8000	4000K	68	118
AP2W-4-80-50K-A2	8000	5000K	65	123
AP2W-4-100-30K-A2	10000	3000K	87	114
AP2W-4-100-35K-A2	10000	3500K	87	116
AP2W-4-100-40K-A2	10000	4000K	87	119
AP2W-4-100-50K-A2	10000	5000K	87	124
AP2W-8-60-30K-A2	6000	3000K	51	119
AP2W-8-60-35K-A2	6000	3500K	50	121
AP2W-8-60-40K-A2	6000	4000K	48	125
AP2W-8-60-50K-A2	6000	5000K	46	129

PROJECT:  
CAT.NO:  
NOTES:

DATE:  
TYPE:  
VOLTS:

**PEERLUX**<sup>®</sup>  
SERIES

# AP2W

## WATTAGE & EFFICACY

2019-07-05

CATALOGUE NUMBER	LUMENS (lm)	CCT (K)	WATTAGE (W)	EFFICACY (lm/W)
AP2W-8-90-30K-A2	9000	3000K	72	126
AP2W-8-90-35K-A2	9000	3500K	70	128
AP2W-8-90-40K-A2	9000	4000K	68	133
AP2W-8-90-50K-A2	9000	5000K	65	138
AP2W-8-120-30K-A2	12000	3000K	108	112
AP2W-8-120-35K-A2	12000	3500K	106	114
AP2W-8-120-40K-A2	12000	4000K	102	119
AP2W-8-120-50K-A2	12000	5000K	98	123
AP2W-8-140-30K-A2	14000	3000K	121	116
AP2W-8-140-35K-A2	14000	3500K	118	119
AP2W-8-140-40K-A2	14000	4000K	115	122
AP2W-8-140-50K-A2	14000	5000K	111	127

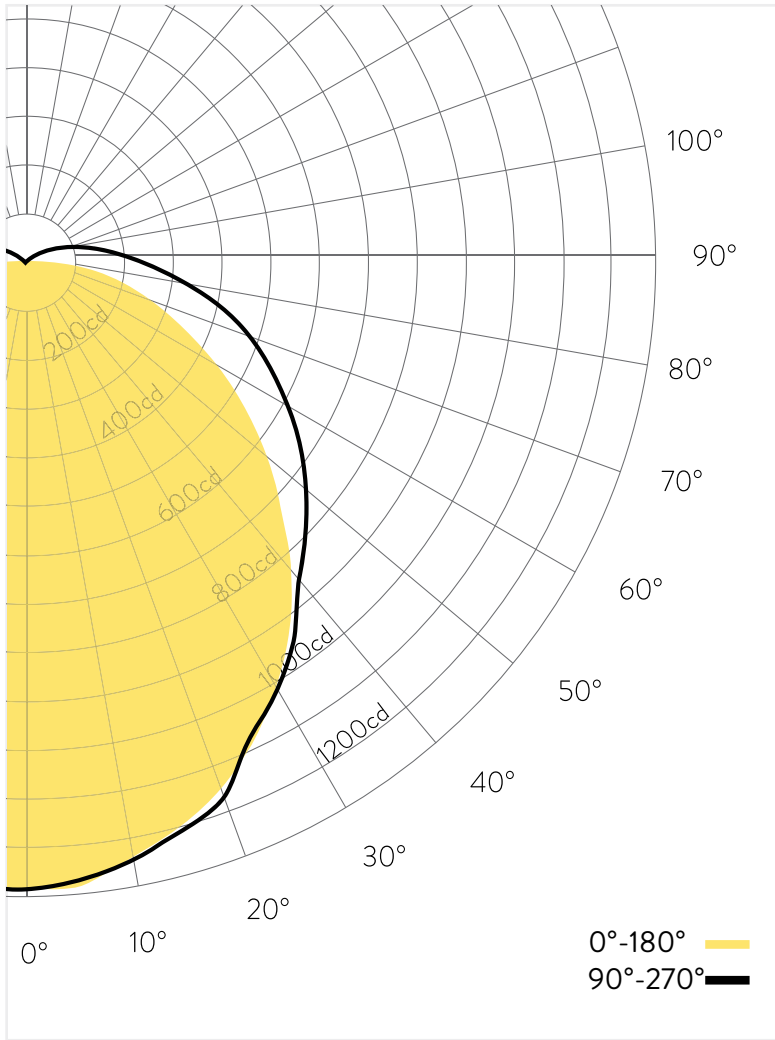
PROJECT:  
CAT.NO:  
NOTES:

DATE:  
TYPE:  
VOLTS:

2019-08-06

# AP2W

CAT NO: AP2W-4-440-40K



## ZONAL LUMEN SUMMARY

Zone	Lumens
0.00° - 10.00°	165.95
10.00° - 20.00°	382.02
20.00° - 30.00°	567.20
30.00° - 40.00°	671.27
40.00° - 50.00°	674.54
50.00° - 60.00°	586.72
60.00° - 70.00°	430.09
70.00° - 80.00°	290.00
80.00° - 90.00°	235.99
90.00° - 100.00°	179.86
100.00° - 110.00°	102.13
110.00° - 120.00°	43.08
120.00° - 130.00°	11.44
130.00° - 140.00°	0.79
140.00° - 150.00°	0.03
150.00° - 160.00°	0.02
160.00° - 170.00°	0.01
170.00° - 180.00°	0.00
0.00° - 90.00°	4,003.79
90.00° - 180.00°	337.38
0.00° - 180.00°	4,341.17

## CONE OF LIGHT

Mtg Height	Light Level	Beam Diameter
6.0 ft	42.2 fc	15.7 ft
8.0 ft	23.7 fc	20.9 ft
10.0 ft	15.2 fc	26.2 ft
12.0 ft	10.5 fc	31.4 ft
15.0 ft	6.7 fc	39.2 ft

## AVERAGE LUMINAIRE LUMINANCE (CD/M<sup>2</sup>)

	0.00°	45.00°	90.00°
0.00°	6,329	6,329	6,329
45.00°	4,626	3,419	3,488
55.00°	3,635	2,804	3,033
65.00°	2,133	2,142	2,538
75.00°	642	1,657	2,176
85.00°	561	1,725	2,332

## INDOOR CU TABLE

	<b>pfc</b>	20.00%	20.00%	20.00%	20.00%	20.00%	20.00%	20.00%	20.00%	20.00%	20.00%	20.00%	20.00%	20.00%	20.00%	
	<b>pcc</b>	80.00%	80.00%	80.00%	80.00%	70.00%	70.00%	70.00%	70.00%	50.00%	50.00%	50.00%	30.00%	30.00%	30.00%	10.00%
	<b>pw</b>	70.00%	50.00%	30.00%	10.00%	70.00%	50.00%	30.00%	10.00%	50.00%	30.00%	10.00%	50.00%	30.00%	10.00%	50.00%
	<b>0.00</b>	107.24	107.24	107.24	107.24	104.11	104.11	104.11	104.11	98.26	98.26	98.26	92.91	92.91	92.91	88.00
	<b>1.00</b>	96.14	91.06	86.50	82.39	93.00	88.41	84.27	80.52	83.45	80.05	76.94	78.90	76.14	73.59	74.70
	<b>2.00</b>	86.91	78.65	71.83	66.10	83.90	76.42	70.17	64.87	72.22	67.00	62.49	68.36	64.02	60.23	64.78
	<b>3.00</b>	79.05	68.80	60.87	54.56	76.24	66.91	59.59	53.69	63.35	57.13	52.02	60.06	54.81	50.40	57.00
	<b>4.00</b>	72.32	60.87	52.49	46.08	69.73	59.27	51.47	45.45	56.24	49.53	44.21	53.43	47.67	43.01	50.81
<b>RCR</b>	<b>5.00</b>	66.51	54.38	45.90	39.65	64.15	53.01	45.09	39.17	50.43	43.52	38.22	48.02	42.01	37.29	45.77
	<b>6.00</b>	61.46	49.00	40.63	34.62	59.32	47.83	39.96	34.25	45.60	38.67	33.50	43.53	37.43	32.77	41.59
	<b>7.00</b>	57.04	44.47	36.32	30.61	55.10	43.46	35.77	30.31	41.55	34.70	29.71	39.75	33.66	29.11	38.07
	<b>8.00</b>	53.15	40.63	32.76	27.35	51.40	39.76	32.30	27.10	38.09	31.39	26.60	36.53	30.51	26.12	35.06
	<b>9.00</b>	49.71	37.35	29.77	24.66	48.12	36.58	29.38	24.45	35.13	28.61	24.03	33.76	27.86	23.62	32.47
	<b>10.00</b>	46.65	34.51	27.24	22.40	45.21	33.84	26.90	22.23	32.56	26.24	21.87	31.35	25.59	21.53	30.21