

PROJECT:
CAT.NO:
NOTES:

DATE:
TYPE:
VOLTS:

NSL-RA

Narrow Strip Luminaire / Rounded Acrylic Lens



GENERAL DESCRIPTION

LED luminaire for **surface** or **suspended** installation with field adjustable aircraft cables or v-links for mounting chain.

Ideal for commercial environments or residential environments.

Row mounting available, consult factory.



2019-05-09

CONSTRUCTION

Rigid one-piece body constructed from code gauge steel. Narrow design.

SHIELDING

Rounded extruded ribbed frosted acrylic lens.

FINISH

Standard finish is high gloss white polyester baked powder coat enamel.



Other colours available. Consult factory.

ELECTRICAL

3000K 3500K 4000K 5000K

120V - 277V 347V

L80 performance at 60,000 hours minimum. 80 CRI Standard.
Other dimming options, lumen options, 90 CRI and lengths available.
Consult factory.

CERTIFICATION

Approved to UL1598 and CSA C22.2 No. 250 standards**
Suitable for damp locations.



*LED Five (5) year limited warranty.
**Normal temperature: -20 degrees Celsius to +25 degrees Celsius.
***Not all available products are DLC qualified. Check the DLC Qualified Products List at designlights.org to confirm which versions are qualified.

Specifications are subject to change.
Please confirm latest specifications prior to placing order.

ORDERING INFORMATION

NSL	RA	SHIELDING	LENGTH	LUMENS	CCT	FINISH	*OPTION*	MOUNTING *OPTIONAL*	POWER CORD *OPTIONAL*	IE CONTROL *OPTIONAL*	DRIVER
	RA = Rounded Acrylic Lens		2 = 2ft	15 = 1500lm 23 = 2300lm 30 = 3000lm	30K = 3000K 35K = 3500K 40K = 4000K 50K = 5000K	GLOSSY W = White Housing B = Black Housing G = Grey Housing MATTE WM = White Housing BM = Black Housing GM = Grey Housing *other colours and finishes available, consult factory	WG = Wireguard	A4 = 48in Aircraft Cable A5 = 60in Aircraft Cable A8 = 96in Aircraft Cable A12 = 144in Aircraft Cable	C1 = 5ft Cord C2 = 6ft Cord C4 = 9ft Cord C7 = 13ft Cord	OC = On/Off Occupancy Control O5 = 100%-50% Hi/Low Occupancy Control	MV = Standard 120V-277V Dimming (0-10V) 347 = Standard 347V Dimming (0-10V) *emergency driver available, consult factory
			4 = 4ft	29 = 2900lm 30 = 3000lm 40 = 4000lm 46 = 4600lm 60 = 6000lm							
			8 = 8ft	60 = 6000lm 80 = 8000lm 96 = 9600lm 120 = 12000lm							
								*other cords and row mounting options available, consult factory			

PROJECT:
 CAT.NO:
 NOTES:

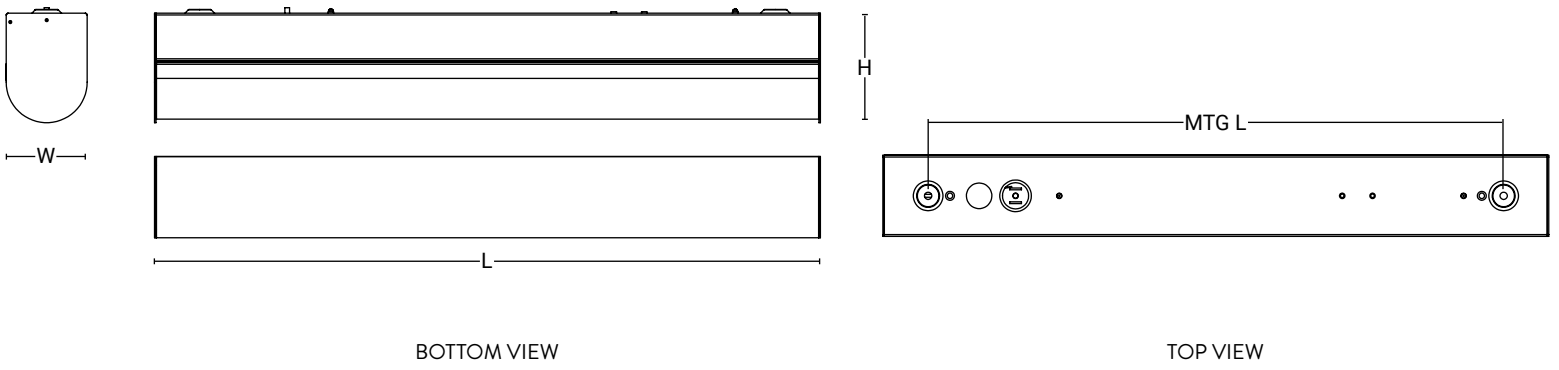
DATE:
 TYPE:
 VOLTS:

NSL-RA

DIMENSIONS

2019-06-10

SIZE	L	W	H	MTG L
2FT	22.85"	2.80"	3.75"	19.75"
4FT	44.85"	2.80"	3.75"	39.25"
8FT	89.10"	2.80"	3.75"	83.50"



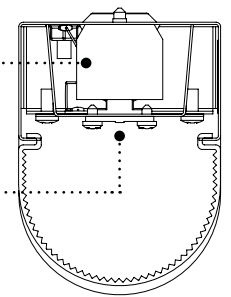
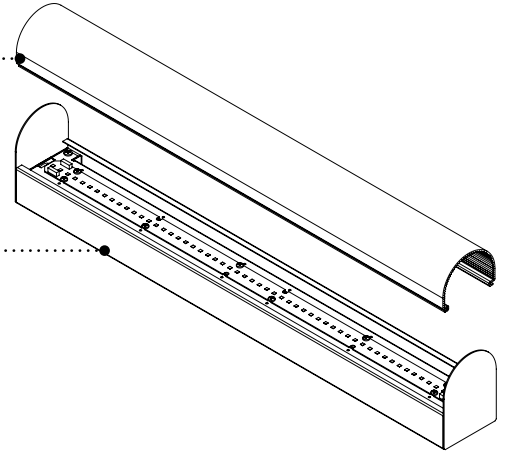
ANATOMY

HIGH PERFORMANCE LENS
 Rounded extruded ribbed frosted acrylic

DIE-FORMED STEEL HOUSING
 Standard finish is high gloss white polyester baked powder coat enamel
 *Other colours available. Consult factory.

LED DRIVER
 Dimming 0-10V

LED LIGHT ENGINE
 Mounted on internal high reflectance white painted reflector



PROJECT:
CAT.NO:
NOTES:

DATE:
TYPE:
VOLTS:

PEERLUX[®]
SERIES

NSL-RA

WATTAGE & EFFICACY

2019-07-05

CATALOGUE NUMBER	LUMENS (lm)	CCT (K)	WATTAGE (W)	EFFICACY (lm/W)
NSL-RA-2-23-40K	2300	4000K	22	108
NSL-RA-2-30-35K	3000	3500K	28	108
NSL-RA-2-30-40K	3000	4000K	27	106
NSL-RA-4-29-35K	2900	3500K	27	103
NSL-RA-4-30-35K	3000	3500K	27	111
NSL-RA-4-30-40K	3000	4000K	27	114
NSL-RA-4-40-35K	4000	3500K	33	113
NSL-RA-4-40-40K	4000	4000K	33	116
NSL-RA-4-60-40K	6000	4000K	52	116
NSL-RA-8-80-40K	8000	4000K	68	112
NSL-RA-8-96-40K	9600	4000K	80	121
NSL-RA-8-120-40K	12000	4000K	104	117
NSL-RA-2-15-35K-W-347	1500	3500K	15	106
NSL-RA-2-15-40K-W-347	1500	4000K	15	109
NSL-RA-2-23-40K-W-347	2300	4000K	22	104
NSL-RA-2-30-35K-W-347	3000	3500K	28	106
NSL-RA-2-30-40K-W-347	3000	4000K	27	112
NSL-RA-4-29-40K-W-347	2900	4000K	27	104
NSL-RA-4-30-35K-W-347	3000	3500K	27	110
NSL-RA-4-30-40K-W-347	3000	4000K	27	112
NSL-RA-4-40-35K-W-347	4000	3500K	33	114
NSL-RA-4-40-40K-W-347	4000	4000K	33	116
NSL-RA-4-46-40K-W-347	4600	4000K	38	125
NSL-RA-8-120-40K-W-347	12000	4000K	104	117

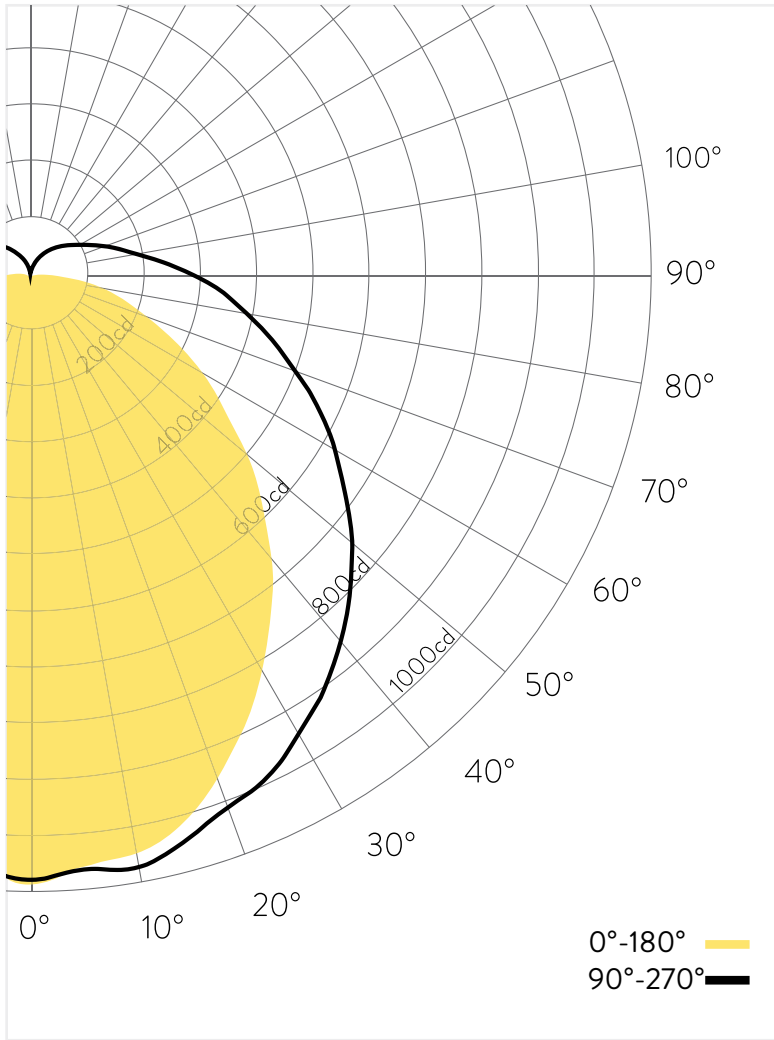
PROJECT:
CAT.NO:
NOTES:

DATE:
TYPE:
VOLTS:

2019-05-07

NSL-RA

CAT NO: NSL-RA-4-40-40K



INDOOR CU TABLE

	pfc	20.00%	20.00%	20.00%	20.00%	20.00%	20.00%	20.00%	20.00%	20.00%	20.00%	20.00%	20.00%	20.00%	20.00%	20.00%
	pcc	80.00%	80.00%	80.00%	80.00%	70.00%	70.00%	70.00%	70.00%	50.00%	50.00%	50.00%	30.00%	30.00%	30.00%	10.00%
	pw	70.00%	50.00%	30.00%	10.00%	70.00%	50.00%	30.00%	10.00%	50.00%	30.00%	10.00%	50.00%	30.00%	10.00%	50.00%
	0.00	102.24	102.24	102.24	102.24	98.58	98.58	98.58	98.58	91.76	91.76	91.76	85.51	85.51	85.51	79.77
	1.00	91.19	86.14	81.62	77.54	87.56	83.02	78.94	75.23	77.19	73.86	70.82	71.82	69.15	66.68	66.88
	2.00	82.26	74.16	67.47	61.85	78.81	71.51	65.41	60.24	66.53	61.49	57.14	61.94	57.81	54.19	57.69
	3.00	74.69	64.69	56.96	50.80	71.48	62.43	55.33	49.62	58.18	52.22	47.32	54.24	49.27	45.10	50.59
	4.00	68.23	57.09	48.94	42.71	65.28	55.16	47.63	41.80	51.51	45.10	40.03	48.12	42.70	38.31	44.97
RCR	5.00	62.66	50.88	42.65	36.58	59.97	49.22	41.58	35.86	46.08	39.50	34.45	43.16	37.51	33.08	40.43
	6.00	57.82	45.73	37.62	31.80	55.37	44.30	36.73	31.22	41.58	34.99	30.08	39.04	33.32	28.95	36.67
	7.00	53.59	41.42	33.53	28.00	51.37	40.17	32.77	27.52	37.80	31.30	26.57	35.59	29.89	25.63	33.51
	8.00	49.87	37.76	30.14	24.91	47.85	36.67	29.50	24.51	34.60	28.24	23.71	32.65	27.03	22.92	30.82
	9.00	46.58	34.63	27.31	22.37	44.75	33.68	26.76	22.02	31.85	25.67	21.34	30.13	24.62	20.67	28.51
	10.00	43.67	31.94	24.92	20.24	42.00	31.09	24.44	19.95	29.47	23.49	19.36	27.94	22.57	18.78	26.50