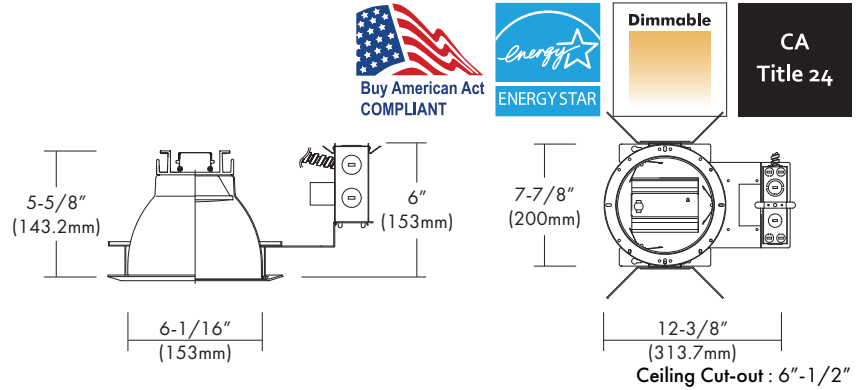


LEDH-AFK6

120V-277VAC LED 6", Non-IC, Architectural Frame-in Kit
Down Light with interchangeable Reflector Trims

Catalog #		Type
Project		Date
Prepared by		

6" LED Architectural Frame-in Kit



DESCRIPTION

The LEDH-AFK6 is a 6" LED Architectural frame-in Kit and is available with multiple Trim styles. Designed for use in non-insulated ceilings, Insulation material must be kept a minimum of 3" from fixture. Available with a 14W, 23W, 30W or 45W high efficacy LED engine and universal, dimmable drivers. The special optical diffuser produces high lumen transmission and even illumination. Suitable for Wet Locations.

DESIGN FEATURES

Mounting Ring

- 20-gauge CRS mounting ring, painted black. The 1-5/8" deep collar may be used with various ceiling material thicknesses.

LED Module & Trim

- Painted, extruded aluminum heat sink designed to facilitate efficient heat dissipation for superior thermal management and reliability.
- LED engine includes LED, heat sink and lens assembly.
- Heavy gauge aluminum reflector anodized in clear haze or white paint finishes. Multiple trim styles and finishes are available.

LED Driver

- Universal, 120~277V input, high efficacy drivers with dimming capability by ① a Triac 120V low voltage electronic dimmer switches or ② 0-10V, Triac & ELV dimmer switches.
- Drivers feature power factor >.90, THD <20% with integral thermal protection to sense over temperature or electrical issues.
- Driver mounts externally to the module to allow future replacement or upgrading if desired.
- Optional Lutron Hi-lume A-Series, LED drivers and EcoSystem 5-Series LED drivers are available. Lutron drivers provide flicker-free, smooth, continuous dimming down to 1% for Hi-lume and 5% for EcoSystem. (Contact factory for dimming system requirements)

Mounting Channel Bracket

- Commercial mounting kit provides up to 5" vertical adjustment and accommodates 1/2" EMT conduit. Optional HBC-24 bar hanger for T-bar grid or concealed spline ceiling are also available.

Junction Box

- Listed for through branch circuit wiring. (Max.8 No 12 AWG 90°C branch circuit conductors: 4 in, 4 out)
- (5) 1/2" knockouts with pry-out slots and (4) knockouts with Romex cable clamps.
- Ground wire provided on J-box.

Options

- Emergency battery back-up : Available in mounted to fixture or remote adjacent to luminaire (consult with factory for space requirements).

Limited Warranty

- LED Module: 5 years/50K hours
- Product/Driver: 3 years

Listing

- cETLus Wet Location
- ENERGY STAR
- California Title 24

SPECIFICATION				
Input Voltage	120-277VAC			
Wattage (+/-5%)	14W	23W	30W	45W
Lumen (+/-5%)	950	1,790	2,235	3,220
Efficacy (LPW)	67.9	77.8	74.5	71.5
Beam Angle	75°	75.5°	77°	76.2°
CRI (Typical)	80, 90			
CCT (Color +/-5%)	2700K, 3000K, 3500K, 4000K			
Dimming	0-10V, ELV & TRIAC Optional Lutron Drivers			
LED Module	5 yr/50K hr			
Environment	Wet Location			

Triac Approved Dimmers

- * Lutron: NovaT (Ntelv 300&600)
Divva (Dvelv-300P&303P)
- * Leviton: Acenti: Ate06-1Lw
- * Leviton Trimatron #705W (incandescent)

0-10V Approved Dimmers

- * Lutron: Nova® 0-10V : NTFTV
Divva® 0-10V : DVTV
- * Leviton: Decora 0-10V : IP710DL

Consult tech. service or factory
for additional dimmers

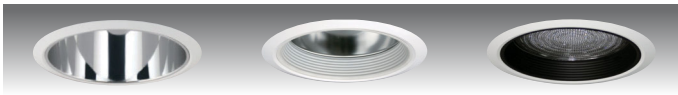
* Provided: Easy-quick connector case
(patent pending)



08/10/18



TRIM



LEDT-R64
Specular Open Reflector

LEDT-R614
Baffle w / Reflector

LEDT-R641
Baffle w /
Regressed Lens



LEDT-R622
Reflector w /
Regressed Lens

LEDT-R636
Wall Wash w /
Reflector Plate

LEDT-R640
Reflector w /
Frosted Floating Lens



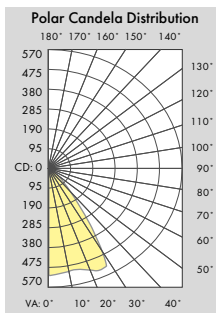
LEDT-R650
Reflector with Frosted 3.5"
Center Hole Lens

* Wide beam reflector is standard. Also available narrow beam in reflector(consult with factory).

*All trims are rated for damp location and regressed lens trims are wet location listed.

* LEDT-R641 & LEDT-R622 are suitable and rated for shower location.

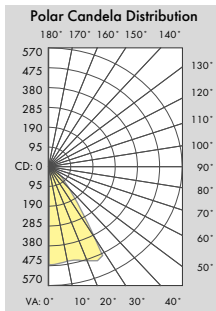
PHOTOMETRIC REPORT * Contact Factory for IES File



[LEDH-AFK6-14-830+LEDT-R64]
Illuminance at a Distance

Center Beam FC	Beam Width
138.2 fc	3.0 ft
34.6 fc	6.0 ft
15.4 fc	9.0 ft
8.6 fc	12.0 ft
5.5 fc	15.0 ft
3.8 fc	18.0 ft

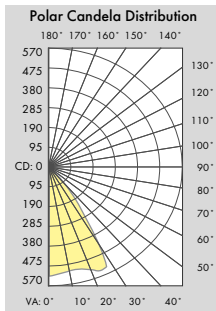
Beam Spread: 75°



[LEDH-AFK6-23-830+LEDT-R64]
Illuminance at a Distance

Center Beam FC	Beam Width
244.2 fc	3.0 ft
61.0 fc	6.1 ft
27.1 fc	9.1 ft
15.3 fc	12.2 ft
9.8 fc	15.2 ft
6.8 fc	18.2 ft

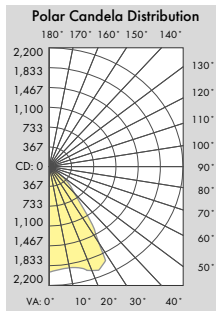
Beam Spread: 75°



[LEDH-AFK6-30-830+LEDT-R64]
Illuminance at a Distance

Center Beam FC	Beam Width
316.1 fc	2.4 ft
79.0 fc	4.9 ft
35.1 fc	7.3 ft
19.8 fc	9.8 ft
12.6 fc	12.2 ft
8.8 fc	14.7 ft

Beam Spread: 75°



[LEDH-AFK6-45-830+LEDT-R64]
Illuminance at a Distance

Center Beam FC	Beam Width
485.7 fc	3.1 ft
121.4 fc	6.3 ft
54.0 fc	9.4 ft
30.4 fc	12.5 ft
19.4 fc	15.7 ft
13.5 fc	18.8 ft

Beam Spread: 76.2°

Ordering Information

Housing

LEDH-AFK6 = 6", Non-IC, Architectural
Frame-in Down Light Kit

-Watts

-14 = 14W
-23 = 23W
-30 = 30W
-45 = 45W

-CRI

-8 = 80
-9 = 90

Color Temp. **

27 = 2700K
30 = 3000K
35 = 3500K
40 = 4000K

Driver*

UTD = 120~277VAC, Triac: 10-100% Dimming
(14, 23 & 30W only)
UZTD = 120~277V, 0-10V, Triac & ELV:
1-100% Dimming
L1D = Lutron Hi-lume 1% dimming
L5D = Lutron EcoSystem 5% dimming
LTE = Lutron Hi-lume 1% 2-Wire dimming

*Option

-EM = Emergency Battery Backup

Trim

LEDT-R64
LEDT-R614
LEDT-R641
LEDT-R622
LEDT-R636
LEDT-R640
LEDT-R650

-Reflector Finish**

-HC = Haze Clear
-WH = White Painted

Baffle Finish for LEDT-R614 & R641

-WH = White
-BK = Black

Optional Metal Trim Ring Finish

-WH = White Plastic Trim Ring (Standard)
-WMR = White Metal Ring
-SN = Satin Nickel
-CH = Chrome
-SF = Polished Self-Flange (for Open or
Wall Wash Reflectors ONLY)

** Consult factory for other Color Temperatures and Finishes