

PROJECT:  
CAT.NO:  
NOTES:

DATE:  
TYPE:  
VOLTS:

# LDXI

Linear . Direct . Indirect

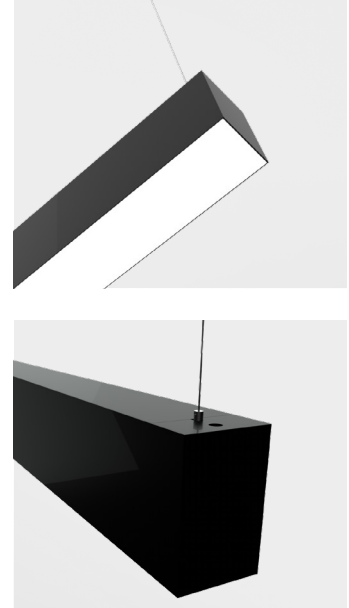
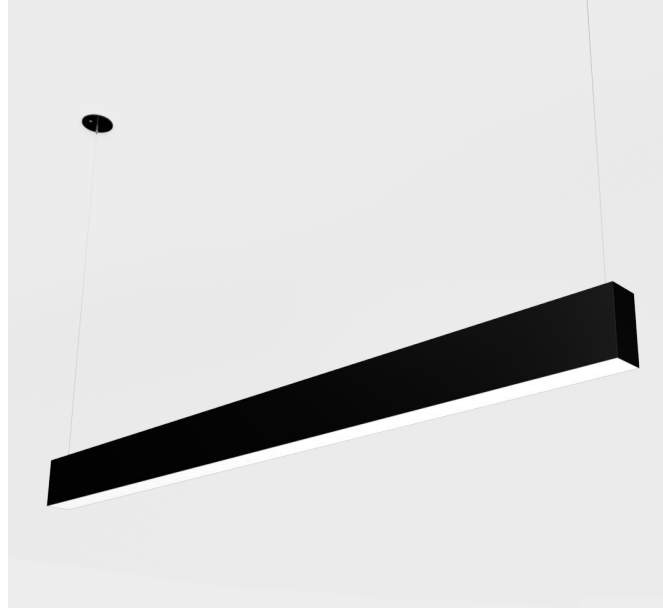


## GENERAL DESCRIPTION

LED luminaire for **suspended** (with aircraft cables) or **surface** or **wall mounted** installation. Features a minimalistic and clean design providing a superior quality of lighting.

Ideal for commercial or architectural environments.

Row mounting available, consult factory.



2019-07-19

## CONSTRUCTION

Extruded aluminum body.  
Protective dust top cover available, consult factory.

## SHIELDING

Snap-in flat frosted acrylic lens.

## FINISH

Standard finish is high gloss white polyester baked powder coat enamel.



Other colours available. Consult factory.

## ELECTRICAL

3000K 3500K 4000K 5000K

120V - 277V 347V

L80 performance at 60,000 hours minimum. 80 CRI Standard.  
Other dimming options, lumen options, 90CRI and lengths available.  
Consult factory.

## CERTIFICATION

Approved to UL1598 and CSA C22.2 No. 250 standards\*\*  
Suitable for damp locations.



\*LED Five (5) year limited warranty.  
\*\*Normal temperature: -20 degrees Celsius to +25 degrees Celsius.

Specifications are subject to change.  
Please confirm latest specifications prior to placing order.

## ORDERING INFORMATION

LDXI				FA						
WIDTH	DISTRIBUTION	LENGTH	LUMENS	CCT	SHIELDING	FINISH	MOUNTING <small>*OPTIONAL*</small>	POWER CORD <small>*OPTIONAL*</small>	DRIVER	
40 = 40mm (1.57")	5U5 = 50% Up / 50% Down	2 = 2ft 4 = 4ft	50 = 500lm/ft	30K = 3000K 35K = 3500K	FA = Flat Frosted Acrylic (Snap-in)	GLOSSY W = White Housing	A4 = 48in Aircraft Cable	C1 = 5ft Cord	MV = Standard 120V-277V Dimming (0-10V)  347 = Standard 347V Dimming (0-10V)  *emergency driver available, consult factory	
60 = 60mm (2.36") *direct light distribution only	6U4 = 60% Up / 40% Down	6 = 6ft 8 = 8ft	80 = 800lm/ft	40K = 4000K 50K = 5000K		B = Black Housing	A5 = 60in Aircraft Cable	C2 = 6ft Cord		
95 = 95mm (3.74")	4U6 = 40% Up / 60% Down		100 = 1000lm/ft			G = Grey Housing	A8 = 96in Aircraft Cable	C4 = 9ft Cord		
	7U3 = 70% Up / 30% Down		120 = 1200lm/ft		MATTE WM = White Housing	A12 = 144in Aircraft Cable	C7 = 13ft Cord			
	3U7 = 30% Up / 70% Down		150 = 1500lm/ft *not applicable for direct light distribution		BM = Black Housing	SW = Side Wall Mounted (2 brackets)	*other cords and row mounting options available, consult factory			
	DIR = 100% Down				GM = Grey Housing	SM = Surface Mounted (direct light distribution only)				
	IND = 100% Up				*other colours and finishes available, consult factory					

PROJECT:  
 CAT.NO:  
 NOTES:

DATE:  
 TYPE:  
 VOLTS:

# LDXI

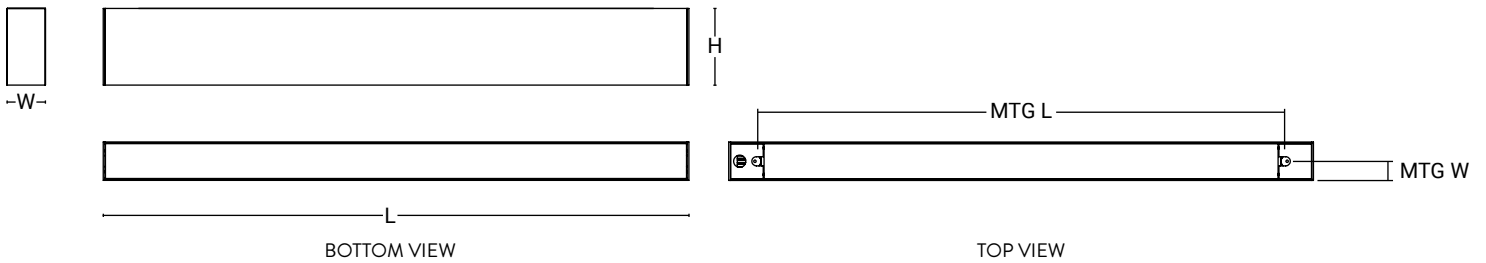
## DIMENSIONS

2019-09-11

SIZE	L	W	Direct	Direct/Indirect	MTG L	MTG W
			H	H		
<small>LDXI-40</small> 2ft	26.00"	1.55"	3.15"	4.70"	21.65"	0.80"
4ft	48.20"	1.55"	3.15"	4.70"	45.75"	0.80"
6ft	72.40"	1.55"	3.15"	4.70"	69.80"	0.80"
8ft	96.20"	1.55"	3.15"	4.70"	93.90"	0.80"

SIZE	L	W	H	H	MTG L	MTG W
4ft	48.20"	2.35"	3.40"	N/A	ADJUSTABLE	1.20"
6ft	72.40"	2.35"	3.40"	N/A	ADJUSTABLE	1.20"
8ft	96.20"	2.35"	3.40"	N/A	ADJUSTABLE	1.20"

SIZE	L	W	H	H	MTG L	MTG W
4ft	48.20"	3.75"	3.95"	5.90"	44.55"	1.85"
6ft	72.40"	3.75"	3.95"	5.90"	68.60"	1.85"
8ft	96.20"	3.75"	3.95"	5.90"	92.65"	1.85"



## ANATOMY

### HIGH PERFORMANCE LENS

Snap-in flat frosted acrylic lens

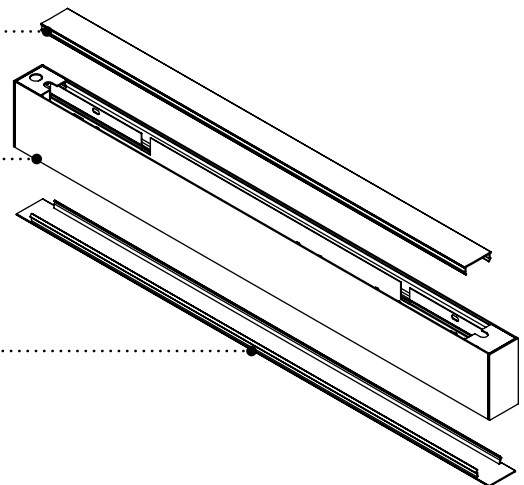
### ALUMINUM EXTRUSION HOUSING

Standard finish is high gloss white polyester baked powder coat enamel

\*Other colours available. Consult factory.

### HIGH PERFORMANCE LENS

Snap-in flat frosted acrylic lens



\*Different widths available for the same model

PROJECT:  
CAT.NO:  
NOTES:

DATE:  
TYPE:  
VOLTS:

**ARCLUX**<sup>®</sup>  
SERIES

# LDXI

## WATTAGE & EFFICACY

2019-10-30

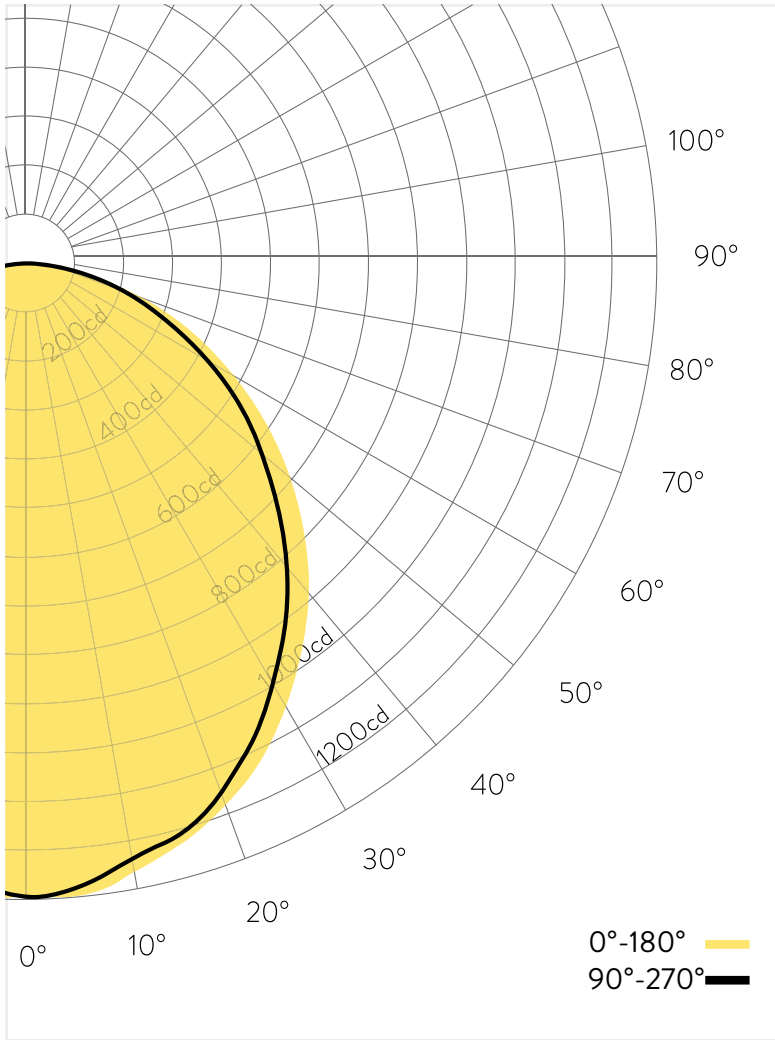
CATALOGUE NUMBER	LUMENS (lm/ft)	CCT (K)	WATTAGE (W)	EFFICACY (lm/W)
LDXI-40-DIR-2-100-40K	1000lm/ft	4000K	22	91
LDXI-40-DIR-4-100-40K	1000lm/ft	4000K	43	94
LDXI-40-DIR-6-100-40K	1000lm/ft	4000K	64	94
LDXI-40-DIR-8-100-40K	1000lm/ft	4000K	84	96
LDXI-60-DIR-2-100-40K	1000lm/ft	4000K	19	100
LDXI-60-DIR-4-100-40K	1000lm/ft	4000K	36	100
LDXI-60-DIR-6-100-40K	1000lm/ft	4000K	53	100
LDXI-60-DIR-8-100-40K	1000lm/ft	4000K	72	100
LDXI-95-DIR-2-100-40K	1000lm/ft	4000K	18	114
LDXI-95-DIR-4-100-40K	1000lm/ft	4000K	33	121
LDXI-95-DIR-6-100-40K	1000lm/ft	4000K	49	122
LDXI-95-DIR-8-100-40K	1000lm/ft	4000K	66	121

PROJECT:  
CAT.NO:  
NOTES:

DATE:  
TYPE:  
VOLTS:

# LDXI

CAT NO: LDXI-60-DIR-4-80-35K



## ZONAL LUMEN SUMMARY

Zone	Lumens
0.00° - 10.00°	144.94
10.00° - 20.00°	338.36
20.00° - 30.00°	500.25
30.00° - 40.00°	580.92
40.00° - 50.00°	577.11
50.00° - 60.00°	500.24
60.00° - 70.00°	363.83
70.00° - 80.00°	189.38
80.00° - 90.00°	43.72
90.00° - 100.00°	1.44
100.00° - 110.00°	0.00
110.00° - 120.00°	0.00
120.00° - 130.00°	0.00
130.00° - 140.00°	0.00
140.00° - 150.00°	0.00
150.00° - 160.00°	0.00
160.00° - 170.00°	0.00
170.00° - 180.00°	0.00
0.00° - 90.00°	3,238.75
90.00° - 180.00°	1.44
0.00° - 180.00°	3,238.75

## CONE OF LIGHT

Mtg Height	Light Level	Beam Diameter
6.0 ft	35.9 fc	14.6 ft
8.0 ft	20.2 fc	19.4 ft
10.0 ft	12.9 fc	24.3 ft
12.0 ft	9.0 fc	29.1 ft
15.0 ft	5.8 fc	36.4 ft

## AVERAGE LUMINAIRE LUMINANCE (CD/M<sup>2</sup>)

	0.00°	45.00°	90.00°
0.00°	17,618	17,618	17,618
45.00°	14,242	6,996	5,651
55.00°	12,843	5,262	4,088
65.00°	11,137	3,599	2,696
75.00°	8,014	1,866	1,329
85.00°	3,256	353	247

## INDOOR CU TABLE

	pfc	20.00%	20.00%	20.00%	20.00%	20.00%	20.00%	20.00%	20.00%	20.00%	20.00%	20.00%	20.00%	20.00%	20.00%	20.00%
	pcc	80.00%	80.00%	80.00%	80.00%	70.00%	70.00%	70.00%	70.00%	50.00%	50.00%	50.00%	30.00%	30.00%	30.00%	10.00%
	pw	70.00%	50.00%	30.00%	10.00%	70.00%	50.00%	30.00%	10.00%	50.00%	30.00%	10.00%	50.00%	30.00%	10.00%	50.00%
	0.00	85.67	85.67	85.67	85.67	83.68	83.68	83.68	83.68	79.95	79.95	79.95	76.54	76.54	76.54	73.41
	1.00	78.67	75.41	72.48	69.84	76.73	73.77	71.11	68.70	70.72	68.53	66.52	67.92	66.14	64.48	65.33
	2.00	71.82	66.12	61.41	57.46	69.94	64.76	60.44	56.77	62.22	58.58	55.44	59.88	56.84	54.18	57.71
	3.00	65.69	58.36	52.70	48.18	63.93	57.23	51.98	47.74	55.10	50.60	46.90	53.13	49.30	46.08	51.30
	4.00	60.32	51.95	45.82	41.13	58.69	50.99	45.27	40.85	49.20	44.22	40.28	47.53	43.22	39.73	45.98
RCR	5.00	55.61	46.60	40.31	35.66	54.11	45.80	39.89	35.47	44.28	39.07	35.08	42.87	38.29	34.70	41.55
	6.00	51.47	42.12	35.84	31.33	50.11	41.44	35.50	31.19	40.15	34.86	30.91	38.95	34.24	30.64	37.82
	7.00	47.83	38.32	32.15	27.83	46.60	37.74	31.89	27.73	36.64	31.37	27.53	35.61	30.87	27.33	34.65
	8.00	44.62	35.08	29.09	24.96	43.50	34.59	28.87	24.89	33.64	28.45	24.74	32.76	28.04	24.59	31.92
	9.00	41.76	32.30	26.50	22.58	40.76	31.87	26.32	22.52	31.06	25.97	22.41	30.29	25.63	22.29	29.57
	10.00	39.22	29.89	24.30	20.58	38.31	29.52	24.15	20.53	28.81	23.86	20.44	28.14	23.58	20.35	27.51