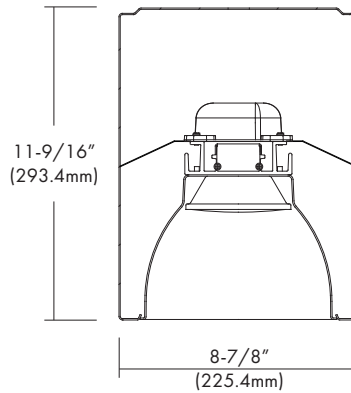
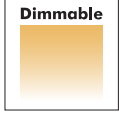


# LEDH-SR8 Series

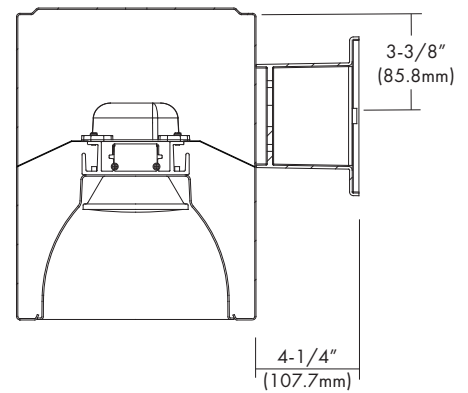
8" Universal Voltage LED Ceiling, Wall, and Pendant Mount Cylinders

Catalog #		Type
Project		Date
Prepared by		

## 8" LED Cylinder



[Ceiling Mount : LEDH-SR8C]



[Wall Mount : LEDH-SR8W]

## DESCRIPTION

The LEDH-SR8 Series 8" Surface Mount Cylinders come in three versions: Ceiling "C", Wall "W" and Pendant "P". The fixtures are offered in 14W, 23W and 30W LED, COB modules plus State-of-the-Art universal drivers with Triac or 0-10V dimming.

## DESIGN FEATURES

### LED Module

- Durable extruded aluminum heat sink is integrated with the LED COB (chip on board).
- Inner reflector enables even distribution with excellent uniformity.

### Reflector

- Anodized haze clear and White painted finishes. Optional Baffle style reflectors are also available. Contact factory for other finishes.

### Housing

- Round, .060" thick spun aluminum housing available in semi-matte White, Black, Bronze and Silver.

### Heat Sink

- Extruded Aluminum Heat Sink computer designed for superior thermal management to ensure constant light output, color and life of solid state engine components.

### LED Power Supply Driver

- Universal, 120~277V input, high efficacy drivers with dimming capability by ① a Triac 120V low voltage electronic dimmer switches or ② 0-10V, Triac & ELV dimmer switches.
- Drivers feature power factor >.90, THD <20% with integral thermal protection to sense over temperature or electrical issues.
- Driver mounts externally to the LED module for thermal isolation and allows for easy maintenance if needed.
- Optional Lutron Hi-lume A-Series, LED drivers and EcoSystem 5-Series LED drivers are available. Lutron drivers provide flicker-free, smooth, continuous dimming down to 1% for Hi-lume and 5% for EcoSystem. (Contact factory for dimming system requirements)

### Wall Bracket (LEDH-SR8W)

- Cast aluminum bracket easily secures to housing's cross-bar with set screws.

### Limited Warranty

- LED Module: 5 years/50K hours
- Product/Driver: 3 years

### Listing

- ENERGY STAR
- cCSA-us Listed

SPECIFICATION				
Input Voltage	120-277VAC			
Wattage (+/-5%)	14 W	23W	30W	45W
Lumen (+/-5%)	960	1,760	2,280	3,340
Efficacy (LPW)	68.6	76.5	76	74.2
Beam Angle	63°	64.2°	63.3°	62.9°
CRI (Typical)	80, 90			
CCT (Color +/-5%)	2700K, 3000K, 3500K, 4000K			
Dimming	Triac (Standard), 0-10V Optional Lutron Drivers			
LED Module	5 yr/50K hr			
Environment	Indoor			

Triac Approved Dimmers
* Lutron: NovaT (Ntelv 300 & 600) Diva (Dvelv-300P & 303P)
* Leviton: Acenti: Ate06-1Lw
* Leviton Trimatron #705W (incandescent)
<b>Consult tech. service or factory for additional dimmers</b>

## TRIMS

\* Wide beam reflector is standard. Also available in narrow beam in reflector (consult with factory).



**LEDT-R84**  
Specular Open Reflector

**LEDT-R814**  
Baffle w / Reflector

**LEDT-R841**  
Baffle w /  
Regressed Lens

**LEDT-R822**  
Reflector w /  
Regressed Lens

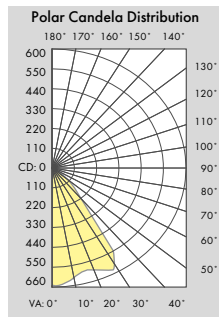
**LEDT-R836**  
Wall Wash w /  
Reflector Plate

\*All trims are rated for damp location and regressed lens trims are wet location listed.

\*LEDT-R841 & LEDT-R822 are suitable and rated for shower location.

## PHOTOMETRIC REPORT

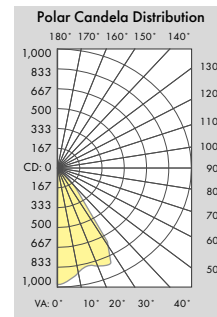
\* Contact Factory for IES File



Illuminance at a Distance	
Center Beam FC	Beam Width
2.0ft	163.9 fc
4.0ft	41.0 fc
6.0ft	18.2 fc
8.0ft	10.2 fc
10.0ft	6.6 fc
12.0ft	4.6 fc

Beam Spread: 63°

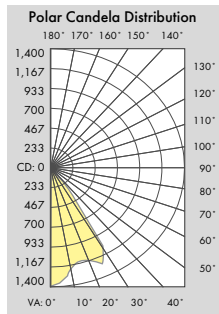
[LEDH-SR8C/SR8W/SR8P-14]



Illuminance at a Distance	
Center Beam FC	Beam Width
2.0ft	248.0 fc
4.0ft	62.0 fc
6.0ft	27.6 fc
8.0ft	15.5 fc
10.0ft	9.9 fc
12.0ft	6.9 fc

Beam Spread: 63°

[LEDH-SR8C/SR8W/SR8P-23]



Illuminance at a Distance	
Center Beam FC	Beam Width
2.0ft	348.8 fc
4.0ft	87.2 fc
6.0ft	38.8 fc
8.0ft	21.8 fc
10.0ft	14.0 fc
12.0ft	9.7 fc

Beam Spread: 63°

[LEDH-SR8C/SR8W/SR8P-30]

## Ordering Information

Model	Pendant Style/Length	Watts	CRI	Color Temp.*	Driver	Housing Finish*	Trim	Reflector Finish**	Baffle Finish for LEDT-R814 & R841	Reflector Collar for LEDT-R822	Lens for LEDT-R841 & R822
<b>LEDH-SR8C</b> (Ceiling Mount)	Place Style <i>before</i> Length	-14 = 14W	-8 = 80 CRI	27 = 2700K	UTD = 120-277VAC, Triac: 10-100% Dimming	-WH = White	<b>LEDT-R84</b>	-HC = Haze Clear	-WH = White	-CL = Clear	-FR = Fresnel
	-S = Swivel Mount Pendant	-23 = 23W	-9 = 90 CRI	30 = 3000K		-BK = Black	<b>LEDT-R814</b>	-WH = White Painted	-BK = Black		
<b>LEDH-SR8W</b> (Wall Mount)	Pendant Lengths 12 = 12 Inches 18 = 18 Inches 24 = 24 Inches	-30 = 30W		35 = 3500K	UZTD = 120-277V, 0-10V, Triac & ELV: 1-100% Dimming	-BZ = Bronze	<b>LEDT-R841</b>				
<b>LEDH-SR8P</b> (Pendant Mount)	36 = 36 Inches 48 = 48 Inches Cable and Cord Lengths -C32 = 32 Inches -C58 = 58 Inches -C108 = 108 Inches -C128 = 128 Inches	-45 = 45W		40 = 4000K		LID = Lutron Hi-lume 1% Dimming LSD = Lutron EcoSystem 5% Dimming LTE = Lutron Hi-lume 1% 2-Wire Dimming	-S I = Silver	<b>LEDT-R822</b>			
					* - Option -DOB = 120V AC Driver on Board -EM = Emergency battery backup		<b>LEDT-R836</b>				

Example : LEDH-SR8P-S18-23-830UZTD-WH

LEDT-R84-HC

\* Consult factory for other Color Temperatures and Finishes