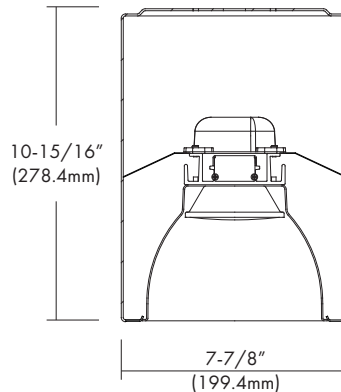


LEDH-SR6 Series

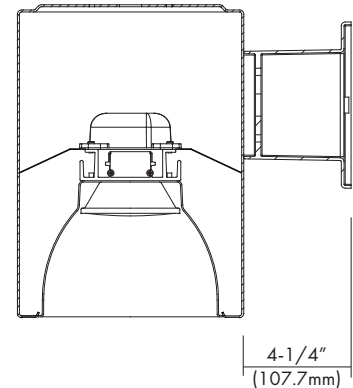
6" Universal Voltage LED Ceiling, Wall, and Pendant Mount Cylinders

Catalog #		Type
Project		Date
Prepared by		

6" LED Cylinder



[Ceiling Mount : LEDH-SR6C]



[Wall Mount : LEDH-SR6W]

DESCRIPTION

The LEDH-SR6 Series 6" Surface Mount Cylinders come in three versions: Ceiling "C", Wall "W" and Pendant "P". The fixtures are offered in 14W, 23W and 30W LED, COB modules plus State-of-the-Art universal drivers with Triac or 0-10V dimming.

DESIGN FEATURES

LED Module

- Durable extruded aluminum heat sink is integrated with the LED COB (chip on board).
- Inner reflector enables even distribution with excellent uniformity.

Reflector

- Anodized haze clear and White painted finishes. Optional Baffle style reflectors are also available. Contact factory for other finishes.

Housing

- Round, .060" thick spun aluminum housing available in semi-matte White, Black, Bronze and Silver.

Heat Sink

- Extruded Aluminum Heat Sink computer designed for superior thermal management to ensure constant light output, color and life of solid state engine components.

LED Power Supply Driver

- Universal, 120~277V input, high efficacy drivers with dimming capability by ① a Triac 120V low voltage electronic dimmer switches or ② 0-10V, Triac & ELV dimmer switches.
- Drivers feature power factor >.90, THD <20% with integral thermal protection to sense over temperature or electrical issues.
- Driver mounts externally to the LED module for thermal isolation and allows for easy maintenance if needed.
- Optional Lutron Hi-lume A-Series, LED drivers and EcoSystem 5-Series LED drivers are available. Lutron drivers provide flicker-free, smooth, continuous dimming down to 1% for Hi-lume and 5% for EcoSystem. (Contact factory for dimming system requirements)

Wall Bracket (LEDH-SR6W)

- Cast aluminum bracket easily secures to housing's cross-bar with set screws.

Limited Warranty

- LED Module: 5 years/50K hours
- Product/Driver: 3 years

Listing

- ENERGY STAR
- cCSA-us Listed

SPECIFICATION

Input Voltage	120-277VAC		
Wattage (+/-5%)	14W	23W	30W
Lumen (+/-5%)	950	1,790	2,235
Efficacy (LPW)	67.9	77.8	74.5
Beam Angle	75°	75.5°	77°
CRI (Typical)	80, 90		
CCT (Color +/-5%)	2700K, 3000K, 3500K, 4000K		
Dimming	Triac (Standard), 0-10V Optional Lutron Drivers		
LED Module	5 yr/50K hr		
Environment	Indoor		

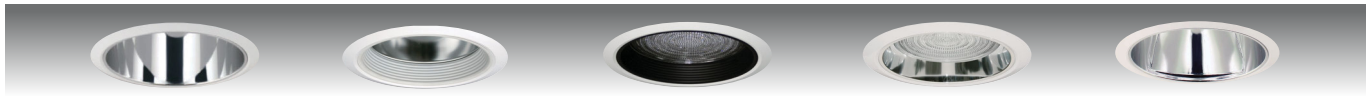
Triac Approved Dimmers

- * Lutron: NovaT (Ntelv 300 & 600)
Diva (Dvelv-300P & 303P)
- * Leviton: Acenti: Ate06-1Lw
- * Leviton Trimatron #705W (incandescent)

Consult tech. service or factory for additional dimmers

TRIMS

* Wide beam reflector is standard. Also available in narrow beam in reflector (consult with factory).



LEDT-R64
Specular Open Reflector

LEDT-R614
Baffle w / Reflector

LEDT-R641
Baffle w /
Regressed Lens

LEDT-R622
Reflector w /
Regressed Lens

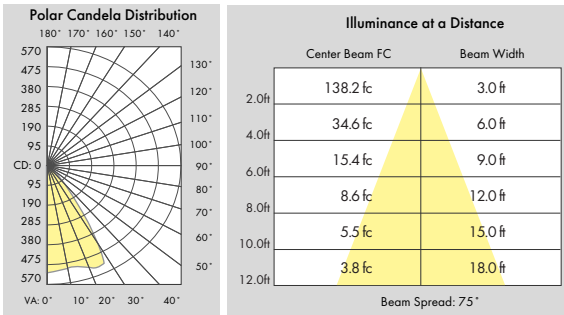
LEDT-R636
Wall Wash w /
Reflector Plate

*All trims are rated for damp location and regressed lens trims are wet location listed.

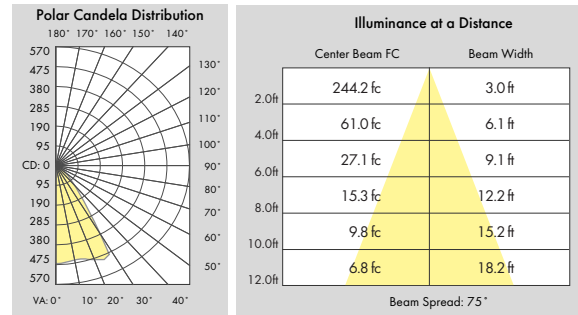
*LEDT-R641 & LEDT-R622 are suitable and rated for shower location.

PHOTOMETRIC REPORT

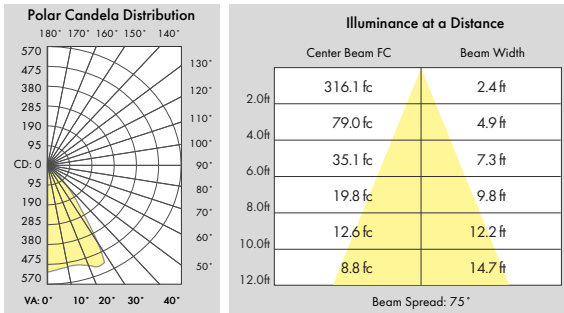
* Contact Factory for IES File



[LEDH-SR6C/SR6W/SR6P-14]



[LEDH-SR6C/SR6W/SR6P-23]



[LEDH-SR6C/SR6W/SR6P-30]

Ordering Information

Model	Pendant Style/Length	Watts	CRI	Color Temp.*	Driver	Housing Finish*	Trim	Reflector Finish**	Baffle Finish for LEDT-R614 & R641	Reflector Collar for LEDT-R622	Lens for LEDT-R641 & R622
LEDH-SR6C (Ceiling Mount)	Place Style before Length	-14 = 14W	-8 = 80 CRI	27 = 2700K	UTD = 120-277VAC, Triac: 10-100% Dimming	-WH = White	LEDT-R64	-HC = Haze Clear	-WH = White	-CL = Clear	-FR = Fresnel
	* = Standard Pendant	-23 = 23W	-9 = 90 CRI	30 = 3000K				-BK = Black			
LEDH-SR6W (Wall Mount)	-S = Swivel Mount Pendant	-30 = 30W		35 = 3500K	UZTD = 120-277V, 0-10V, Triac & ELV: 1-100% Dimming	-BZ = Bronze	LEDT-R614	-WH = White Painted			
	Pendant Lengths			40 = 4000K				-S I = Silver			
LEDH-SR6P (Pendant Mount)	12 = 12 Inches				L1D = Lutron Hi-Lume 1% Dimming		LEDT-R622				
	18 = 18 Inches										
	24 = 24 Inches				LTE = Lutron Hi-Lume 1% 2-Wire Dimming						
	36 = 36 Inches				* - Option						
	48 = 48 Inches				-DOB = 120V AC Driver on Board						
	Cable and Cord Lengths				-EM = Emergency battery backup						
	-C32 = 32 Inches										
	-C58 = 58 Inches										
	-C108 = 108 Inches										
	-C128 = 128 Inches										

Example : LEDH-SR6P-24-23-830UZTD-WH

LEDT-R64-HC

* Consult factory for other Color Temperatures and Finishes