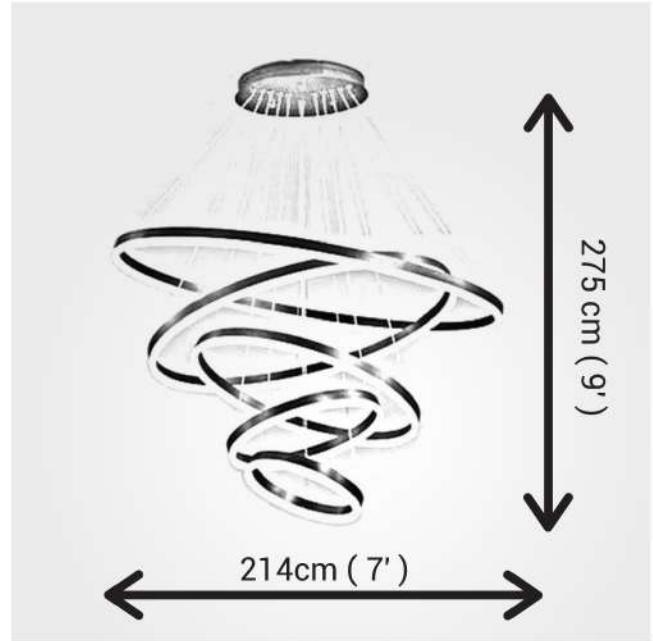


CAPO MULTI CONFIGURA

P77M.05.XX



HOW TO ORDER:

EX: P77M.05.AL
CAPO MULTI CONFIGURA Aluminum

CODE	FINISH	DIMENSIONS	BULB
P77M.05.XX	-AL -AT -BL -BZ -BSG -CL -CT -G24 -GL -NS -NI -OCL -SC -SL	Height : 275 cm (9'), also custom height available Width ; 214cm (7'), also custom height available	LED 700mA 50W 5,300 lm approx. 4000K 90 CRI (XS)

FINISH OPTIONS:

-AL Aluminum
-GL Gold Leaf
-AT Athracite

-BL Black
-NI Nickel
-BZ Bronze

-OCL Oxidated Copper Leaf
-BSG Brushed Satin Gold
-SC Satin Copper

-CL Copper Leaf
-SL Silver Leaf

-CT Corten
-G24 Gold 24KR

WE WELCOME ALL CUSTOM ORDERS!

IES Files upon Request

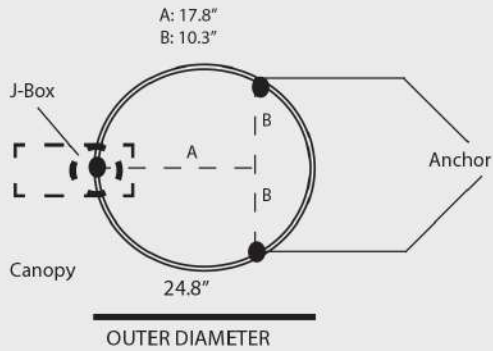
g@gordonbullard.com
www.cerchiolighting.com
269-569-6700



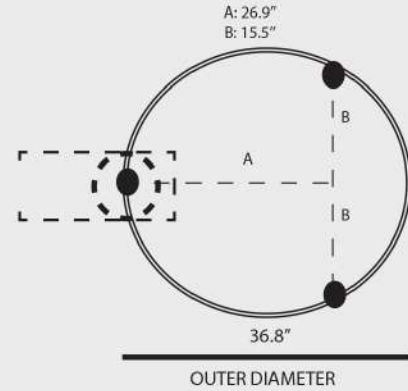
991 South Gull Lake Dr
Richland, MI 49083
USA

CAPO MULTI CONFIGURA

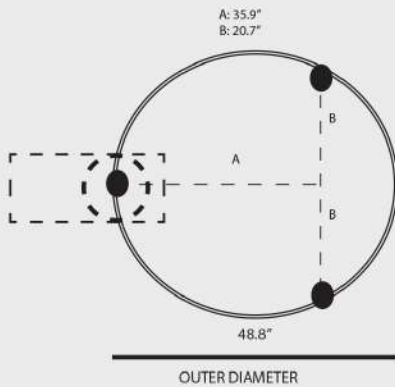
P77M.05.XX



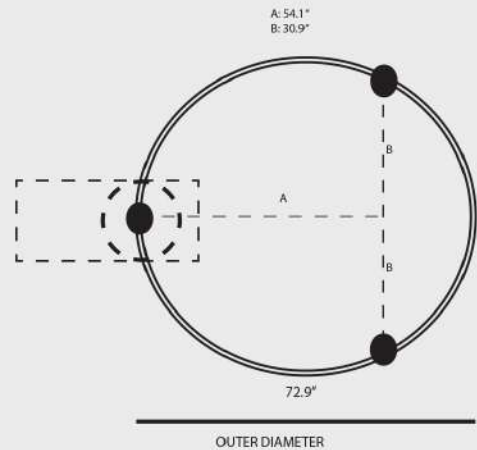
CAPO MULTI CONFIGURA
Size XS



CAPO MULTI CONFIGURA
Size S



CAPO MULTI CONFIGURA
Size M



CAPO MULTI CONFIGURA
Size L.

WE WELCOME ALL CUSTOM ORDERS!

IES Files upon Request

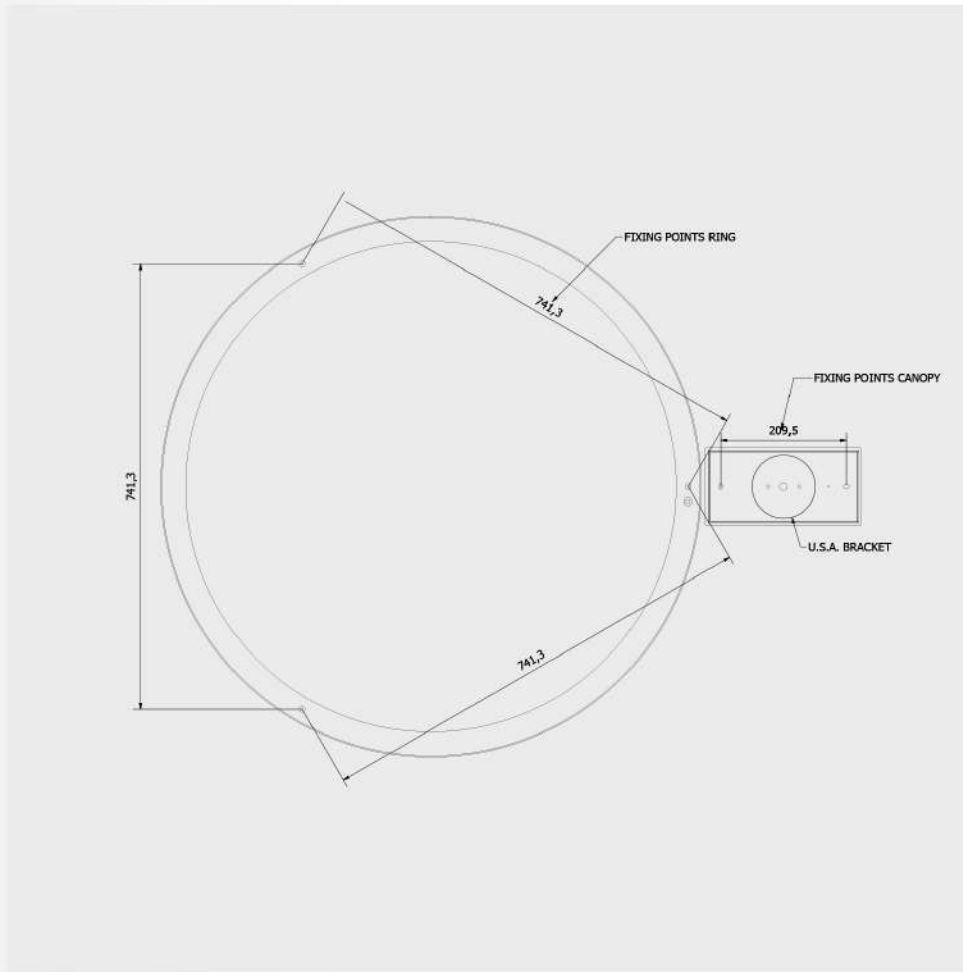
g@gordonbullard.com
www.cerchiolighting.com
269-569-6700



991 South Gull Lake Dr
Richland, MI 49083
USA

CAPO MULTI CONFIGURA

P77M.05.XX



CAPO MULTI CONFIGURA

P77M.05.XX

WE WELCOME ALL CUSTOM ORDERS!

IES Files upon Request

g@gordonbullard.com
www.cerchiolighting.com
269-569-6700



991 South Gull Lake Dr
Richland, MI 49083
USA



CAPO MULTI CONFIGURA

P77M.05.XX

Luminaire Assembly

Extruded, machined, formed and welded 6061-T6 aluminum
Dual Ring design, showing no apparent fasteners from below
Innovative layered assembly allows rings of different finishes to be combined

Heat Management

Higher level of thermal conductivity than die cast heat-sinks
Wide area heat-sink exposed to open air, suitable for mid-power LEDs

Optics

Machined, formed and welded satin PMMA circular integral diffuser
Optimal light chamber design for dot-less uniform lighting
High transmissivity (<90%) PMMA to maximize light output

Connectors

Laser cut, formed and welded cold-rolled steel canopy
Magnetic cosmetic cover conceals screws, cable gripper and power cable
Mounts to regular junction box

Light Emitters

Custom designed LED light engine
ANSI binned LEDs for color consistency
White light tones: 3000K, 3500K, 4000K
High Color rendering index as standard (CRI): 90
Lumen Outputs over 900 lm per linear feet, at 700 mA

Available Finishes



LDriver

Constant Current
(700mA)
Multiple input voltages available
Multiple dimming standards available

WE WELCOME ALL CUSTOM ORDERS!

IES Files upon Request

g@gordonbullard.com
www.cerchiolighting.com
269-569-6700



991 South Gull Lake Dr
Richland, MI 49083
USA



CAPO MULTI CONFIGURA

P77M.05.XX

How to Order:

EXAMPLE : P77M.05. - S - 4LF13WH - U - 0- C - CR - CR

MODEL:

NOMINAL LUMINAIRE DIAMETER:

- XS 24"
 - S 36"
 - M 48"
 - L 72"
 - XL 96"
- Customized size: example CS.85.5"

LIGHT SOURCE:

- 4LF13CH LED 700mA 50W 5,300 lm approx. 4000K 90 CRI (XS)
- 4LF13WH LED 700mA 50W 5,000 lm approx. 3000K 90 CRI (XS)
- 6LF13CH LED 700mA 75W 8,000 lm approx. 4000K 90 CRI (S)
- 6LF13WH LED 700mA 75W 7,500 lm approx. 3000K 90 CRI (S)
- 8LF13CH LED 700mA 100W 10,6000 lm approx. 4000K 90 CRI (M)
- 8LF13WH LED 700mA 100W 10,000 lm approx. 3000K 90 CRI (M)
- 12LF13CH LED 700mA 150W 15,900 lm approx. 4000K 90 CRI (L)
- 12LF13WH LED 700mA 150W 15,000 lm approx. 3000K 90 CRI (L)
- 16LF13CH LED 700mA 195W 21,000 lm approx. 4000K 90 CRI (XL)
- 16LF13WH LED 700mA 195W 20,000 lm approx. 3000K 90 CRI (XL)

MAINS VOLTAGE:

- U 120-277 V

DIMMING SPECIFICATION:

- 0 LED Dimming (1-10V)

DMOUNTING:

- C 120" Aircraft Cables

POWDER COAT FINSHES

- | | | |
|-----|------------------------|--------------------------|
| -BR | Bronze Powder Coated | <u>Inner Ring Finish</u> |
| -CR | Chrome Powder Coated | |
| -WH | White Powder Coated | |
| -BK | Black Powder Coated | <u>Outer Ring Finish</u> |
| -XX | Custom, Specify in box | |

*The canopy lid plate finish matches the one of the outer ring.

GALVANIC METAL FINISHES

- | | | | |
|-------------------------|---------------------------|---------------|--------------------------|
| -AL Aluminum | -GL Gold Leaf | -AT Athracite | <u>Inner Ring Finish</u> |
| -NS Nickel Satin | -BL Black | -NI Nickel | |
| -BZ Bronze | -OCL Oxidated Copper Leaf | | |
| -BSG Brushed Satin Gold | -SC Satin Copper | | |
| -CL Copper Leaf | -SL Silver Leaf | -CT Corten | <u>Outer Ring Finish</u> |
| -G24 Gold 24KR | | | |

WE WELCOME ALL CUSTOM ORDERS!

IES Files upon Request

g@gordonbullard.com
www.cerchiolighting.com
269-569-6700



991 South Gull Lake Dr
Richland, MI 49083
USA

CAPO MULTI CONFIGURA

P77M.05.XX



WE WELCOME ALL CUSTOM ORDERS!

IES Files upon Request

g@gordonbullard.com
www.cerchiolighting.com
269-569-6700



991 South Gull Lake Dr
Richland, MI 49083
USA